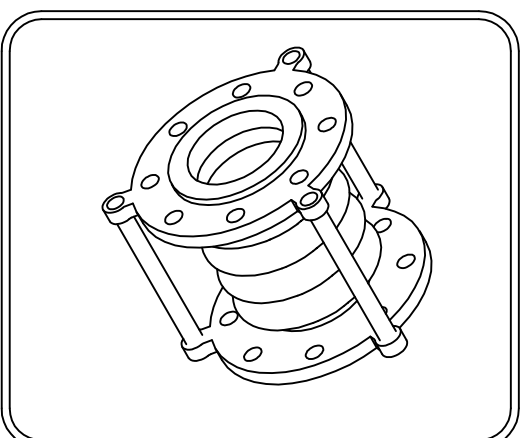


NOMINAL PIPE SIZE	2.con	3.con	5.con	
1"	25	50	61	83
1-1/2"	40	61	76	105
2"	50	59	78	115
2-1/2"	64	69	86	120
3"	80	73	95	137
4"	100	74	96	138
6"	150	87	112	160
8"	200	97	123	175
10"	250	99	128	186
12"	300	102	133	194
14"	350	103	134	195



- Flange : two pieces of carbon steel flange with epoxy one coated: stainless steel is available on request. jis 10 k or DIN ~~NOT~~ available either .
 - Adjustment screw : three piece screw with zine plated.
 - Support ring volume = Con-1, carbon steel with chrome plated.
 - Lining : Pure PTFE in compliance with F1545
- Other nominal sizes are available on request.